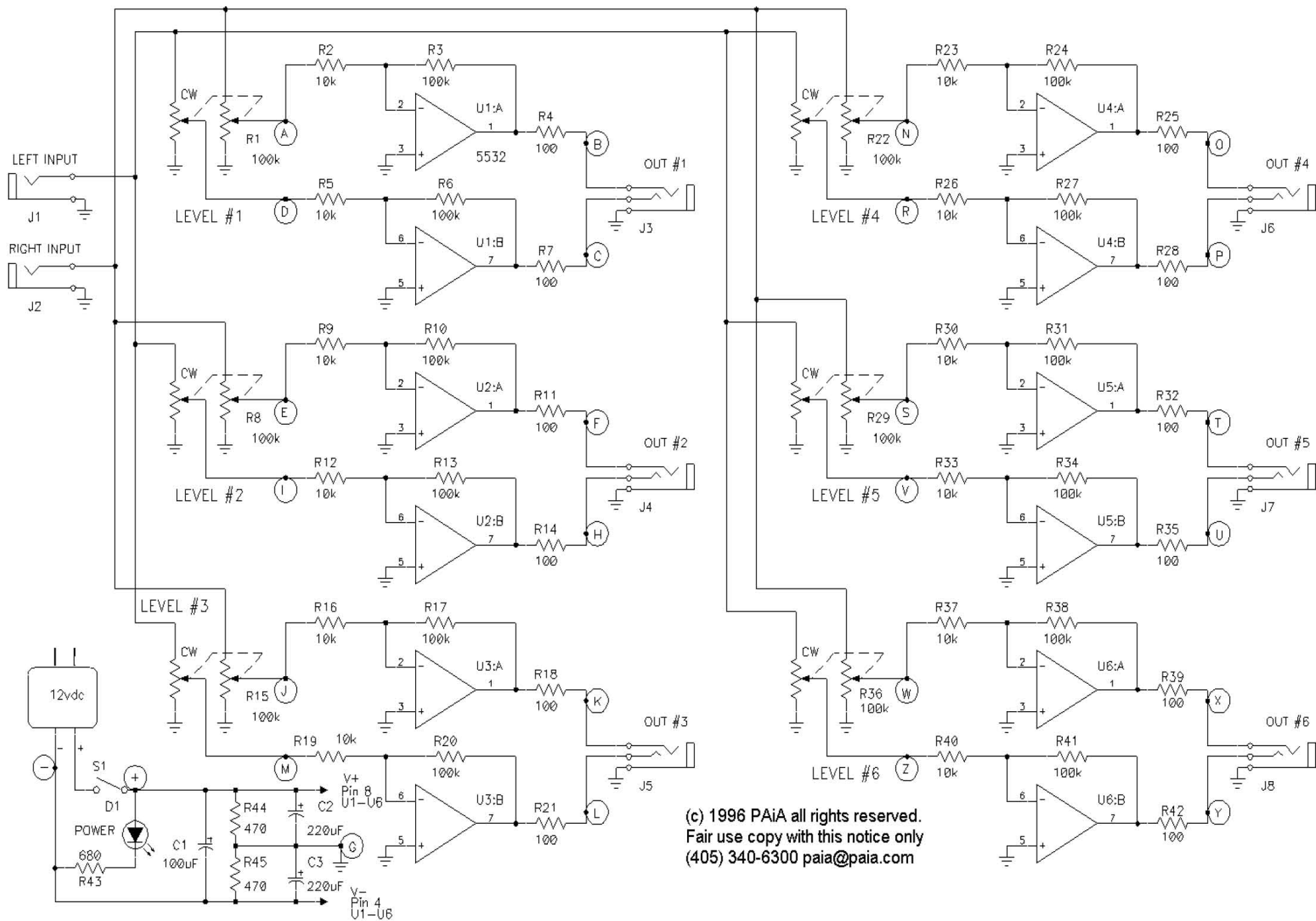


Headphone Distribution Amplifier

No matter how well equipped your studio is there will come a time when you just need to use more headphones than you can drive from a single source.

This extremely useful, high-quality device allows low or line-level sources to drive up to 6 pairs of stereo headphones. 12 separate amplifiers drive any mix of headphones from 8 to 600 ohms and each headphone has its own stereo volume control. Compared to alternative multi-headphone devices, the HDA provides more outputs, more volume, less distortion and no noise. Black anodized, legended case with wooden end caps and wall mount power supply included.





(c) 1996 PAiA all rights reserved.
 Fair use copy with this notice only
 (405) 340-6300 paia@paia.com